

ADVANTAGES:

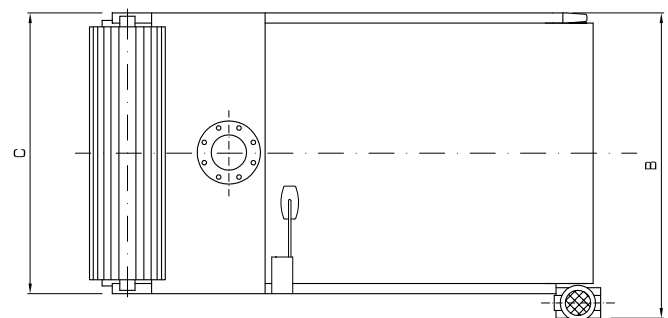
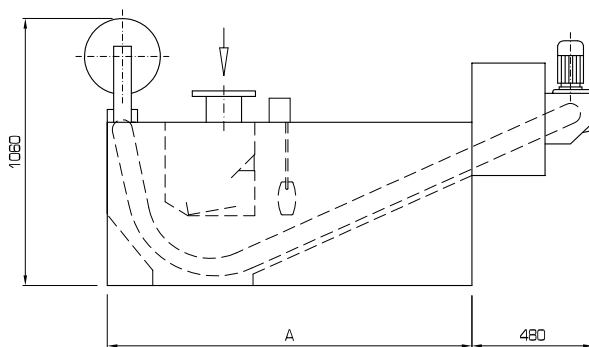
- Suitable for all machine tools
- Reduced non-woven consumption
- Automatic and continuous operation
- Low purchasing cost
- Energy saving
- Compact design
- Minimal maintenance
- High filtration degree thanks to the high hydrostatic head
- Reduced overall dimensions
- Reliable and solid construction
- High hydrostatic pressure
- Automatic non-woven winder with sludge separation available
- Covers and guards on request
- Pairable with series Disk magnetic separator
- Electrical equipment on request



Series SBH automatic high slope bed filters clean coolants combining reduced dimensions and high flow rates.



**CHOOSE FILTRA NON-WOVENS
FOR A BETTER FILTRATION RESULT!**



SBH type	B1.4	B1.9	B2.3	B2.9	C4.6
I/min*	820	1050	1300	1650	2600
A (mm)	1450	1950	2450	2950	2950
B (mm)	1270	1270	1270	1270	1770
C (mm)	1110	1110	1110	1110	1610

* Viscosity < 4 cSt - Structure in carbon steel or stainless steel - Colour on request - Subject to technical modifications

Feel free to contact us! Our team can provide your custom solution.